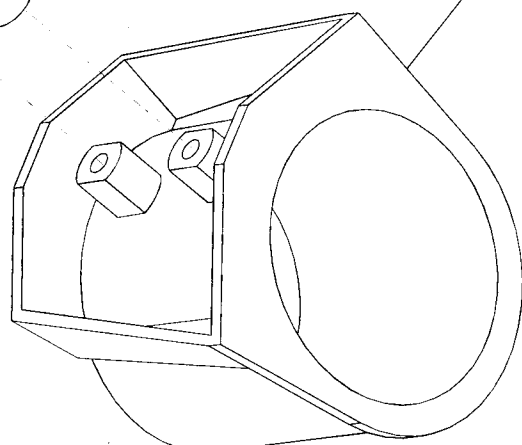
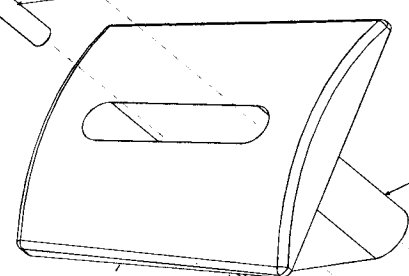


8 7 6 5 4 3 2 1

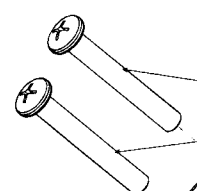
CADDY CLAMP CUP HOLDER  
[6008-402 CADDY IV SHOWN]



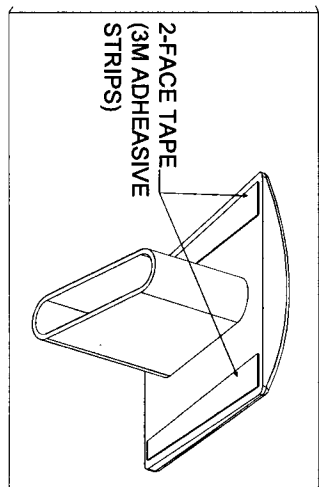
CADDY CLAMP BRACKET  
[6008-401 LARGE SHOWN]



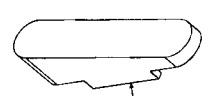
1/4x20 - 1 3/4"  
PAN HEAD BOLT (2)  
[CADDY CCI-294 SHOWN]



2-FACE TAPE  
(3M ADHESIVE STRIPS)



CADDY CLAMP PLUG  
[6008-401 LARGE SHOWN]



**Installation Steps:**

1. Remove backing from 2-face tape (3M Adhesive strips)
2. Stick Clamp Bracket to front side of seat backs.
3. Insert two screws through the clamp bracket
4. Attach cup holder to the clamp, be careful to not overtighten (Bolts need to be tightened securely)
5. Once the clamp cup holder has been installed, press in the clamp plug into the back of the clamp bracket

**Notes:**

- Use care when tightening bolts to avoid damage to the clamp.
- Use a #3 Phillips drive to tighten bolts to a **torque of 4ft-lb**
- Cup holders should be placed just above the wing of the back or for best results just above the armrest ( the bottom of the clamp should line up with the top side of the armrest)

REV	DESCRIPTION	NAME	DATE
1			



**CADDY™ PRODUCTS, INC.**  
AND LEADING EDGE SYSTEMS

73-850 Dinah Shore Drive, Unit 115  
Palm Desert, CA 92211  
Tel (760) 770-1299 / Fax (760) 770-1799  
(800) 845-0591