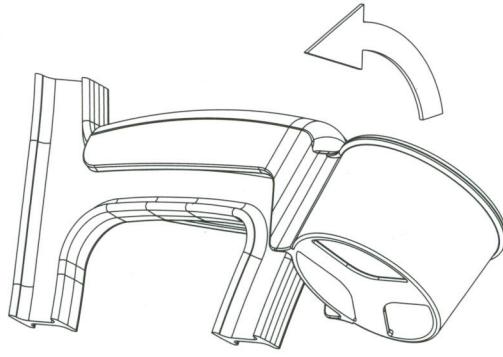
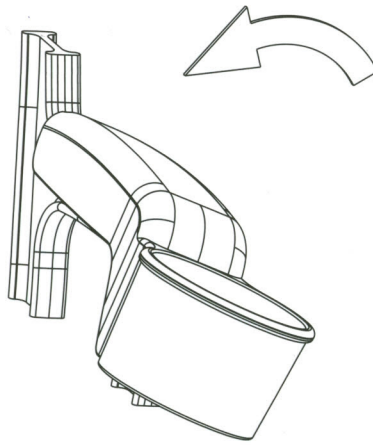


INSTALLATION INSTRUCTIONS



STEP 1: Line up the locking wedges on one side of the armrest to the edge of the standard engaging the side locks.



STEP 2: With a roll over motion, engage the locks on the armrest on the opposite side.

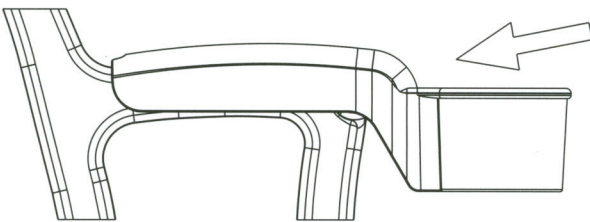


Figure 1

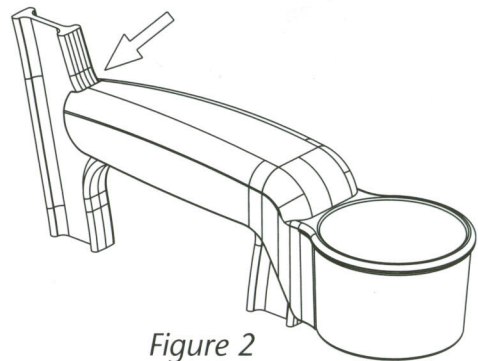


Figure 2

STEP 3: Push the armrest in a backward motion engaging the front end underside locks. (Figure 1)
Note: the armrest is fully engaged when the cut out area on the back end of the armrest wraps around the vertical post of the standard. (Figure 2)